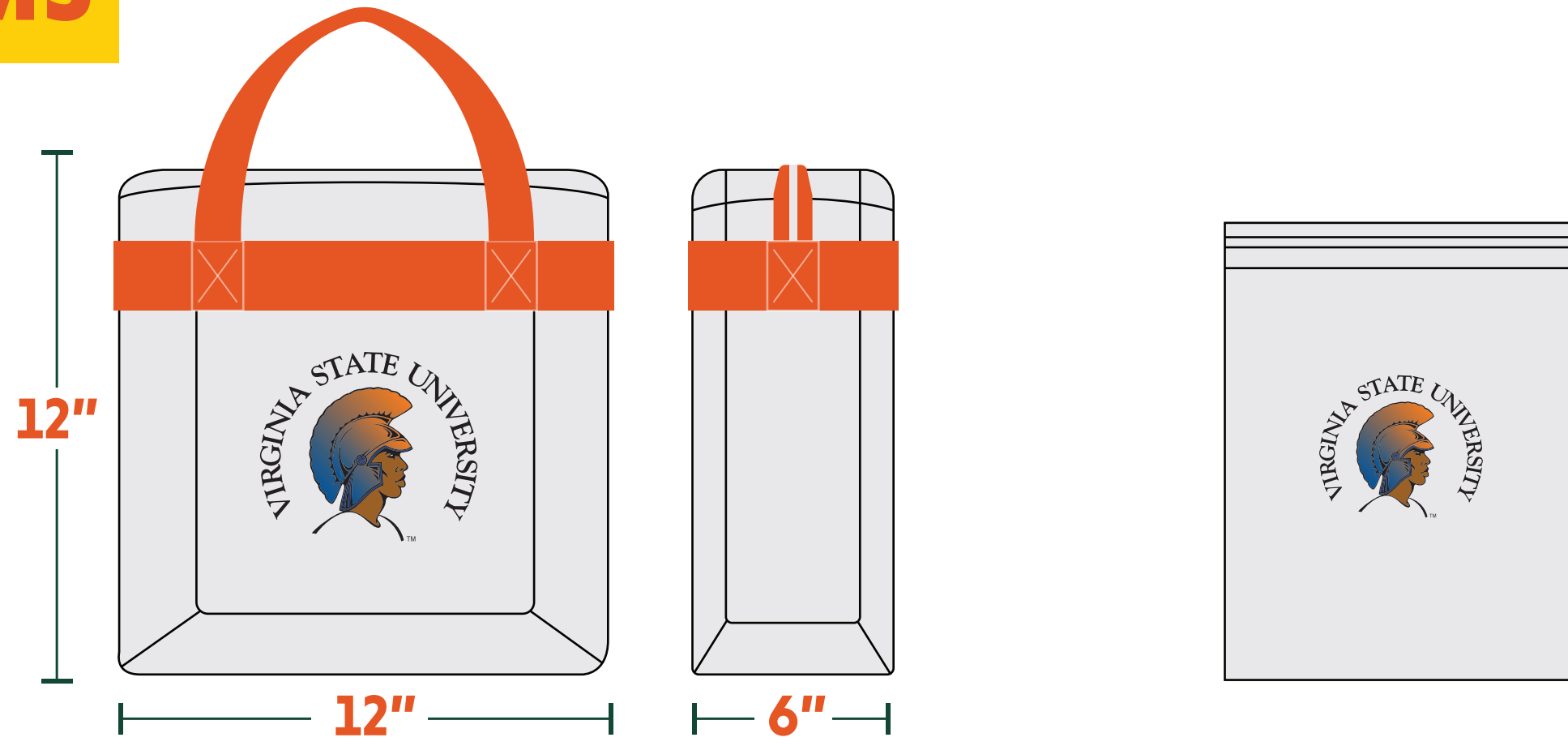




# Virginia State University Athletics **BAG POLICY**

## APPROVED ITEMS

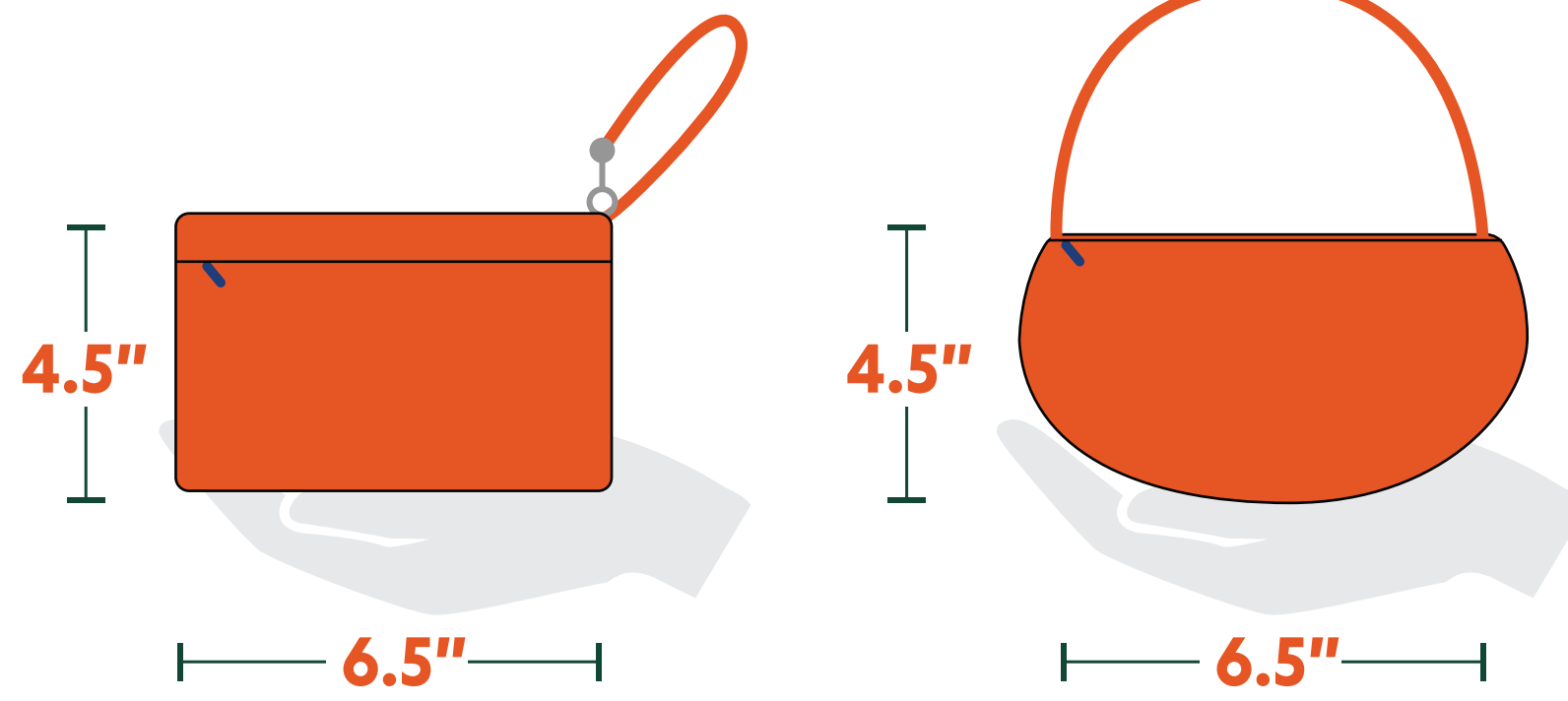


### CLEAR TOTE:

Plastic, vinyl or PVC and may not exceed 12" x 6" x 12"

### PLASTIC STORAGE BAG:

1 gallon re-sealable, clear plastic freezer bag



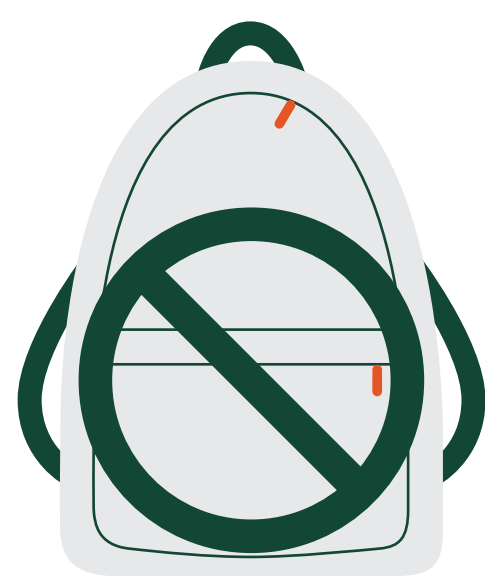
### SMALL CLUTCH BAG:

No larger than 4.5" x 6.5" x 3". Prohibited bags include, but are not limited to: backpacks, briefcases, camera bags, cinch bags, computer bags, coolers, diaper bags, duffel bags, fanny packs, luggage, any other bag deemed to not meet the clear bag policy.

## NON-APPROVED ITEMS



LARGE PURSE



BACKPACK



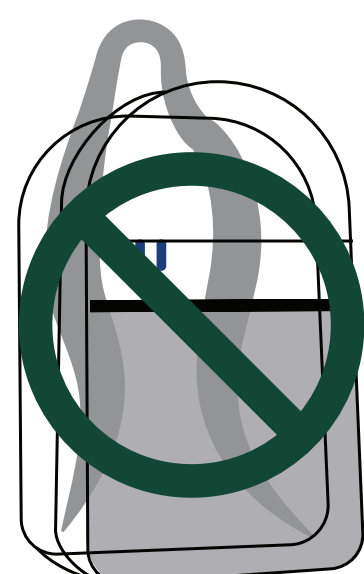
CINCH BAG



NON-CLEAR/PRINTED PATTERN TOTE



MESH BAG



CLEAR BACKPACK



DUFFEL BAG



FANNY PACK



CAMERA BAG



DIAPER BAG